



CENTRAL SANSKRIT UNIVERSITY



SHRI RANBIR CAMPUS, KOT-BHALWAL, JAMMU 181122

Quotation

Director Central Sanskrit University, Shri Ranbir Campus, Kot-Bhalwal, Jammu quotations are invited from approved CPWD/PWD/contractor for construction of Foundation of 100 Fts. Height National Flag. The quotations should be reached on/or before 14-12-2023 in the office of Director Central Sanskrit University, Shri Ranbir Campus, Kot-Bhalwal, Jammu through post or by Hand. For more details please see on www.csu-jammu.edu.in. Date of opening of quotations 15/12/2023 at 3:00 P.M.

 6/12/23

(Prof. Shridhar Mishra)
DIRECTOR

SCHEDULE OF QUANTITY

Name of Work:-Flag hoisting

S.No.	DESCRIPTION OF ITEM	Qty.	Unit	Rates	Amount	DSR Code 2021
1	Earth work in excavation by mechanical means (Hydraulic excavator)/ manual means over areas (exceeding 30 cm in depth, 1.5 m in width as well as 10 sqm on plan) including getting out and disposal of excavated earth lead upto 50 m and lift upto 1.5 m, as directed by Engineer-incharge.					2.6
1.1	All kinds of soil.	41.00	cum	205.45	8423.00	2.6.1
2	Filling available excavated earth (excluding rock) in trenches, plinth, sides of foundations etc. in layers not exceeding 20cm in depth, consolidating each deposited layer by ramming and watering, lead up to 50 m and lift upto 1.5 m.	21.00	cum	253.95	5333.00	2.25
3	Extra for every additional lift of 1.5 m or part thereof in excavation / banking excavated or stacked materials.					2.26
3.1	All kinds of soil.	17.00	cum	104.50	1777.00	2.26.1
4	Providing and laying in position cement concrete of specified grade excluding the cost of centering and shuttering - All work up to plinth level :					4.10
4.1	1:4:8 (1 Cement : 4 coarse sand (zone-III) derived from natural sources : 8 graded stone aggregate 40 mm nominal size derived from natural sources)	1.00	cum	6050.65	6051.00	4.1.8
5	Centering and shuttering including strutting, propping etc. and removal of form work for :					4.30
5.1	Foundations, footings, bases for columns	1.00	sqm	307.95	308.00	4.3.1

6	Providing and laying in position specified grade of reinforced cement concrete, excluding the cost of centering, shuttering, finishing and reinforcement - All work up to plinth level :					5.1
6.1	1:1.5:3 (1 cement : 1.5 coarse sand (zone-III): 3 graded stone aggregate 20 mm nominal size)	7.00	cum	8364.20	58549.00	5.1.2
7	Centering and shuttering including strutting, propping etc. and removal of form for :					5.9
7.1	Foundations, footings, bases of columns, etc. for mass concrete	6.00	sqm	307.95	1848.00	5.9.1
7.2	Columns, Pillars, Piers, Abutments, Posts and Struts	10.00	sqm	804.25	8043.00	5.9.6
8	Steel reinforcement for R.C.C. work including straightening, cutting, bending, placing in position and binding all complete upto plinth level.					5.22
8.1	Thermo-Mechanically Treated bars of grade Fe-500D or more.	560.00	kg	89.65	50204.00	5.22.6
9	Structural steel work riveted, bolted or welded in built up sections, trusses and framed work, including cutting, hoisting, fixing in position and applying a priming coat of approved steel primer all complete.	95.00	kg	111.95	10635.00	10.2
10	Supplying and laying of following size DWC HDPE pipe ISI marked along with all accessories like socket, bend, couplers etc. conforming to IS 14930, Part II complete with fitting and cutting, jointing etc. in the existing trench, complete as required.	6.00	mtr	170.00	1020.00	14.2
				Total	152191.00	
	Add GST 18% in place of 12% @6.33% on aggrement item			152191.00	9634.00	
				Total	161825.00	

Details of Measurement

Name of Work:-Flag hoisting

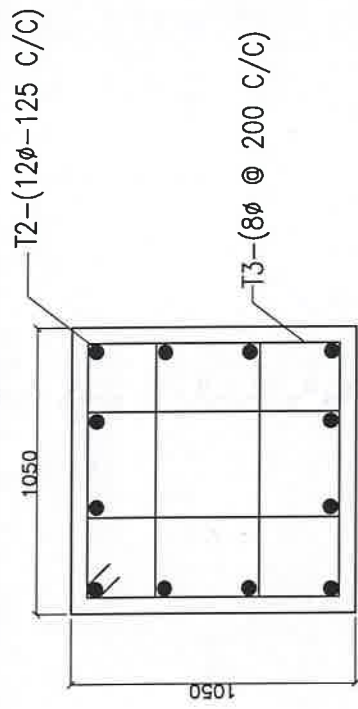
S.No.	Details of works	No.		Measurement			Qty.	Unit	DSR Code 2021
				L	B	H			
1	Earth work in excavation by mechanical means (Hydraulic excavator)/ manual means over areas (exceeding 30 cm in depth, 1.5 m in width as well as 10 sqm on plan) including getting out and disposal of excavated earth lead upto 50 m and lift upto 1.5 m, as directed by Engineer-in-charge.								2.6
1.1	All kinds of soil.								2.6.1
	Flag Foundation	1	1	4.00	4.00	2.58	41.28	Cum	
						Total	41.28	cum	
						Say	41.00	cum	A
2	Filling available excavated earth (excluding rock) in trenches, plinth, sides of foundations etc. in layers not exceeding 20cm in depth, consolidating each deposited layer by ramming and watering, lead up to 50 m and lift upto 1.5 m.								2.25

S.No.	Details of works	No.		Measurement			Qty.	Unit	DSR Code 2021
				L	B	H			
	1/2rd of DSR item 2.6.1 marked as "A"		0.5	41.00	cum		20.50	cum	
						Total	20.50	cum	
						Say	21.00	cum	
3	Extra for every additional lift of 1.5 m or part thereof in excavation / banking excavated or stacked materials.								2.26
3.1	All kinds of soil.								2.26.1
	Flag Footing	1	1	4.00	4.00	1.08	17.28	Cum	
						Total	17.28	cum	
						Say	17.00	cum	
4	Providing and laying in position cement concrete of specified grade excluding the cost of centering and shuttering - All work up to plinth level :								4.1
4.1	1:4:8 (1 Cement : 4 coarse sand (zone-III) derived from natural sources : 8 graded stone aggregate 40 mm nominal size derived from								4.1.8
	Flag Footing	1	1	3.08	3.08	0.08	0.76	Cum	
						Total	0.76	cum	
						Say	1.00	cum	

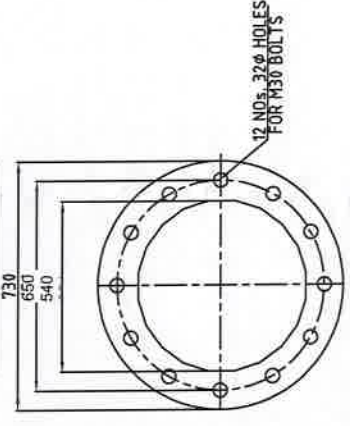
S.No.	Details of works	Measurement			Qty.	Unit	DSR Code 2021
		No.	L	B			
7	Centering and shuttering including strutting, propping etc. and removal of form for :						5.9
7.1	Foundations, footings, bases of columns, etc.						5.9.1
	Footing	1	4	3.00	0.50	6.00	sqm
					Total	6.00	sqm
					Say	6.00	sqm
7.2	Columns, Pillars, Piers, Abutments, Posts and Struts						5.9.6
	Pedestal	1	4	1.05	2.30	9.66	sqm
					Total	9.66	sqm
					Say	10.00	sqm

निर्देशक/DIRECTOR
 केन्द्रीय संस्कृत विश्वविद्यालय
 CENTRAL SANSKRIT UNIVERSITY
 मा.सं.वि.मन्त्रालय, भारत सरकार के अधीन
 Under MHRD, Govt. of India
 श्री रमणिस परिसर, कोट-मसनाल, जम्मू (जम्मूखण्ड)
 SHRI RAMANIS CAMPUS, KOT-MASNAL, JAMMU (J&K)

S.No.	Details of works	Measurement			Qty.	Unit	DSR Code 2021	
		No.	L	B				H
8	Steel reinforcement for R.C.C. work including straightening, cutting, bending, placing in position and binding all complete upto plinth level.						5.22	
8.1	Thermo-Mechanically Treated bars of grade Fe-500D or more.						5.22.6	
	80 kg for 1Cum	1	7.00	cum		7.00	cum	
					Total	7.00	cum	
		80	kg/cum	7.00	cum	560.00	kg	
					Total	560.00	kg	
9	Structural steel work riveted, bolted or welded in built up sections, trusses and framed work, including cutting, hoisting, fixing in position and applying a priming coat of approved steel primer all complete.						10.2	
	Bolt & plate							
	32 mm dia bolt	1	12	0.90		10.80	mtr	
					Total	10.80	mtr	
	Weight @ 6.32kg/mtr	10.80	mtr	6.32	kg/mtr	68.26	kg	A
	plate (6 mm thick plate)	1	1	0.75	0.75	0.56	sqm	
					Total	0.56	mtr	
	Weight @ 47.2kg/mtr	1	mtr	47.20	kg/mtr	26.55	kg	B
					Total	A to B	94.81	kg
					Total	94.81	kg	
					Say	95.00	kg	
10	Supplying and laying of following size DWC HDPE pipe ISI marked along with all accessories like socket, bend, couplers etc. conforming to IS 14930, Part II complete with fitting and cutting, jointing etc. in the existing trench, complete as required.						14.16	
	90 mm dia (OD-90 mm & ID-76 mm nominal)						14.16.2	
	in footing	1	2	3.00		6.00	mtr	
					Total	6.00	mtr	
					Say	6.00	mtr	



DETAIL OF PEDESTAL



**ANCHOR PLATE / TEM PLATE (TYP)
(4MM THK MS, EACH 1NO PER POLE)**

BAR BENDING SCHEDULE:-

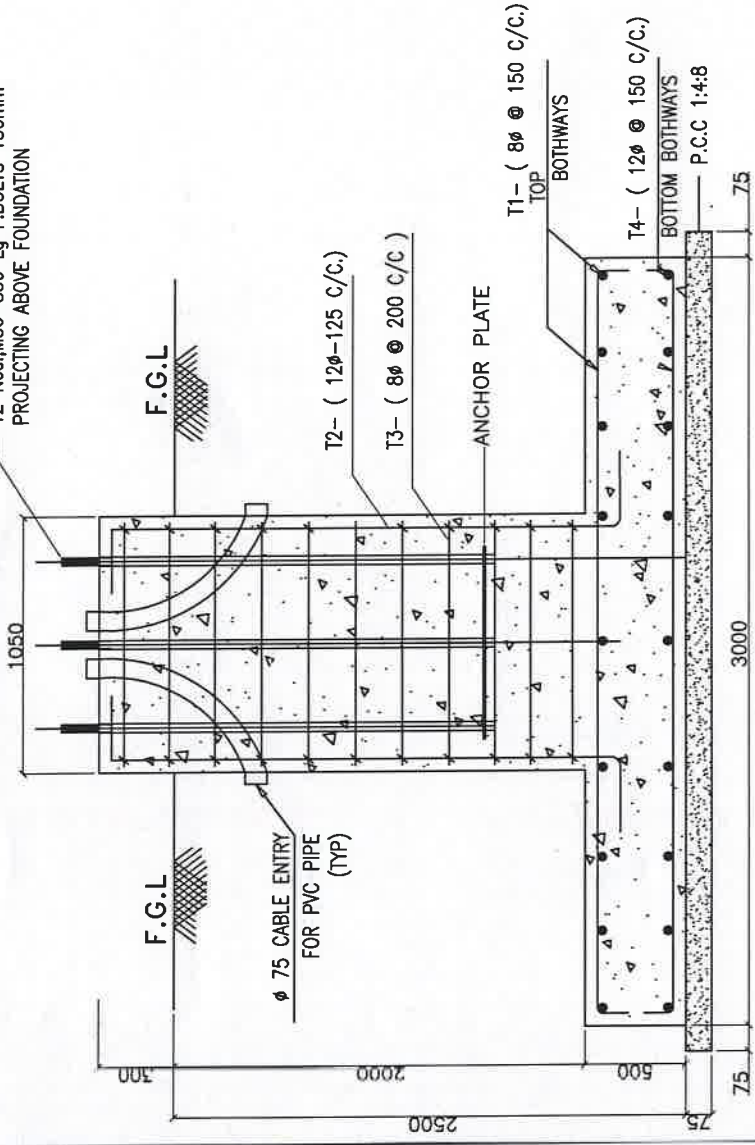
SNo.	Shape	Length (m)		Total leg.	Dia	Nos.
		(a)	(b)			
T1	a b	0.25	3.1	3.6	8	42
T2	a b column	2.3	0.30	2.6	16	24
T3	a b stirrups	.95	.95	3.8	8	12
T4	a b	.100	3.1	3.3	12	42

NOTE:-

FOUNDATION DIMENSIONS WILL VARY AS PER SOIL CONDITIONS

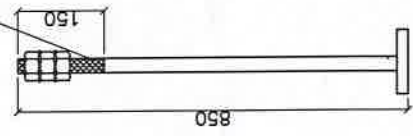
SHRI BALAJI ENTERPRISES	DESIGNED	NAME	SIGN	DATE
	CAD	RITU		12/11/2018
	CHECKED	RITU		12/11/2018
	ALL DIMENSIONS ARE IN MM			SCALE
	DWG NO:	BPT/HM/MKTG/FDN-30		N T S
	TITLE:	30M HIGH MAST		REV
		RAFT FOUNDATION DETAILS		0

12 Nos. M30-850 Lg F.BOLTS 150mm PROJECTING ABOVE FOUNDATION



SECTIONAL ELEVATION

THREADED PORTION



**FOUNDATION BOLT M30
(WITH 5 NUTS)**

NOTES:-

WIND SPEED	M/S	50
CONCRETE MIX.	VIBRATED	M20
MIN. COVER [MM]		50
STEEL		Fe415
SOIL BEARING CAPACITY T/M ²		10.0

PROF / DIRECTOR
 Dr. H. V. RAO
 CENTRAL SAHAYAN UNIVERSITY
 KADAPATI, VISAKHAPATNAM
 AP, INDIA
 TEL: 0896-2511111, 2511112, 2511113
 FAX: 0896-2511114, 2511115, 2511116